

# Kuhlman Hall

## Double Room Information Sheet

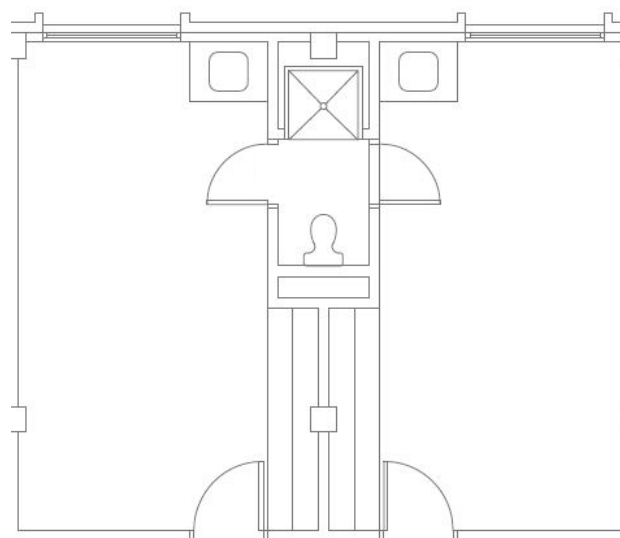
This hall houses first year students. The floors are co-ed by wing. Every two rooms share an adjoining bathroom (called a suite). Each room has bunkable beds, a desk and chair per student. There are built in shelving, dresser and closet units.

Double rooms are two students sharing one bedroom. There is a Resident Assistant (RA) on each floor that is responsible for community development and mentoring the residents. The RA staff report to the Hall Director, a master-level professional staff member assigned to live and work with the students of their building.



### Dimensions

- Room 11' x 19'
- Recommended Carpet Size 9' x 12'
- Windows 72" x 65"
- Closet Size 40" x 69" by 21" deep
- Built-in Shelves 22" x 69"
- Storage Space Under Bed 22.5" tall
- Desk Top Space 42" x 24"
- Sink Top Space 3' x 22.5"
- HV/AC Unit 55.5" x 22" x 9"
- Linens Twin XL



### FAQ

- Mini Fridge - Not provided. Limit one per room (must be under 4.3 cubic feet and cannot pull more than 4 amps)
- Meal Plan - All students living in Kuhlman Hall must have a residential meal plan. Additional information can be found on the Connex website (link here: <https://www.xavier.edu/auxiliary-services/>).
- Housing Accommodations- All accommodations must be requested through the Office of Disability Services (<https://www.xavier.edu/disability-services/>). If approved our office will be notified.
- SpectrumU TV is our cable provider. Visit <https://www.spectrum.com/cable-tv/spectrum-tv-app> for more on device compatibility. TVs must be FCC USA Digital Complaint. RCA, LG, Samsung, and Toshiba seem to work best.

More information can be found on our website: <https://www.xavier.edu/residence-life/>

Follow us on social media!  Xavier Residence Life  @XavierResLife  xavierreslife

